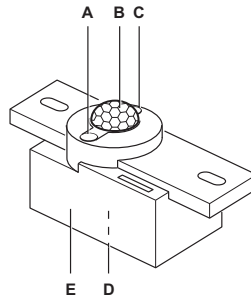
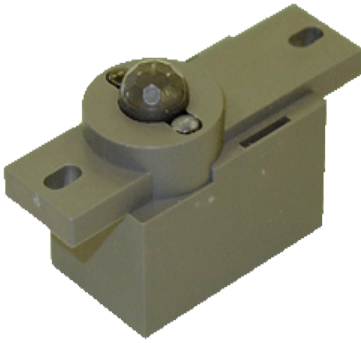


## LS/PD MULTI 3



### Light and motion sensor Fitting instructions

### Installation

### Function and application

The LS/PD MULTI 3 sensor detects the presence of people and measures the intensity of ambient light.

The sensor is installed in lamps.

### Construction

The sensor is made up of the following components:

- Light sensor (A)
- Motion sensor (B)
- LED (C)
- Connection (D) for supply voltage, light measurement value, motion signal and signal ground
- Housing (E)

### Safety instructions

The sensor must only be installed and put into operation by a qualified electrician. The applicable safety regulations and accident prevention regulations must be observed.



#### WARNING!

Exposed, live cables or damaged housing.

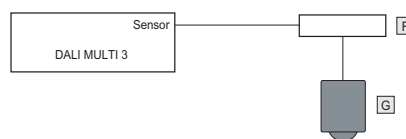
Danger of electric shock!

- Only work on the sensor when it is de-energized.

#### CAUTION!

Destruction of the sensor and other devices through incorrect mounting!

- Only use OSRAM control units of the following types: DALI MULTI 3/ DIM MULTI 3, DALI MULTileco/ MULTileco, DALI PROFESSIONAL Sensor Coupler.
- Do not connect control line with external voltage.
- Note the maximum total line length.
- Do not route the sensor line together with the power or lamp line.



### Connecting the sensor

Connect the sensor using the supplied cable or a commercially available 4-pin cable. If the cable is shortened or lengthened, ensure that the wiring is correct.

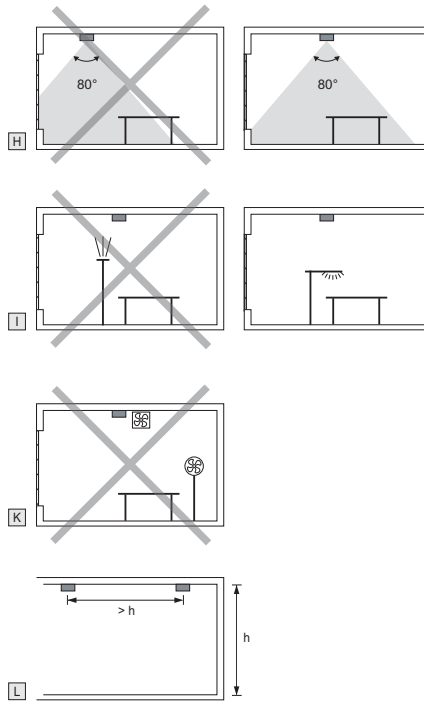
Sensors can be connected in parallel via a Y-branch. For the maximum number of sensors: see the separate control unit manual.

F Y-branch (optional)

G Sensor



## Fitting (cont.)



## Selecting the installation location

H Surveillance cone: entire workplace; not on window surfaces

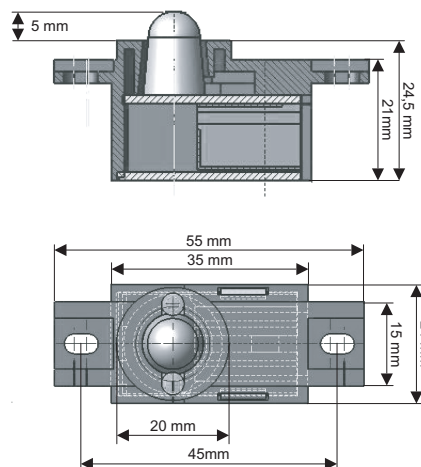
I Avoid exposure to direct light

K Avoid drafts (e.g. from ventilators or fans)

L Installation distance = min. installation height

## Appendix

## Technical data



Combined control and supply connection	4-pin modular connection (4p4c) 1: Supply voltage 2: Light measurement value 3: Motion signal 4: Signal ground Length 2.1 m
Maximum total length of signal line (incl. all connections to the control units)	See control unit
Insulation	Basic insulation as per IEC 664
Dimensions (L x W x H)	55 x 21 x 24.5 mm
Light sensor detection area	20 - 600 lx (measured at sensor), opening angle approx. 90°
Motion detection area	Conical, opening angle approx. 80°
Installation height	2 - 4 m

The CE requirements to EN 60928 are fulfilled.  
The EMC requirements to EN 61547 are fulfilled.



Conformity with the relevant EU directives is confirmed by the CE symbol.